

LEDX.NO

LED expert AS
Torpumveien 543
1788 Halden

E-post: post@ledx.no
Tlf: 909 54 606

C-6000W



INDUSTRIAL-GRADE DESIGN

RUGGED FOUR-WHEEL CHASSIS, LARGE-DIAMETER WHEELS, AND RUBBER BUMPERS ENSURE DURABILITY IN TOUGH ENVIRONMENTS

FLEXIBLE POWER CONFIGURATION

AVAILABLE IN THREE-PHASE, SINGLE-PHASE, AND SPLIT-PHASE OUTPUTS

10 YEARS OF POWER

LFP BATTERIES ENSURE LONG-LASTING STABILITY AND ENHANCED SAFETY, DELIVERING 3000+ BATTERY CYCLES

INTEGRATED SOLAR INVERTER

ENABLES DIRECT SOLAR CHARGING, ENHANCING ENERGY EFFICIENCY AND SEAMLESS OFF-GRID POWER MANAGEMENT

UNINTERRUPTED POWER SUPPLY

ULTRA-FAST 20ms SWITCH-OVER ENSURES SEAMLESS OPERATION, KEEPING CRITICAL DEVICES POWERED WITHOUT INTERRUPTION

10
YEAR
PRODUCT
WARRANTY

5
YEAR
BATTERY
WARRANTY



BATTERY CAPACITY
5376 Wh



OUTPUT POWER
5000W | 6000W



AC PEAK OUTPUT
12000W



AC VOLTAGE
110V | 230V



CHARGE TIME
1 Hour



WAVE TYPE
Pure Sine Wave



TOTAL WEIGHT
70KG



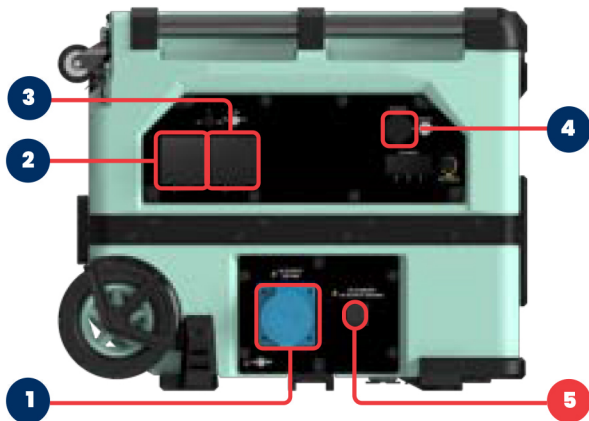
DIMENSION (mm)
610 X 560 X 500



OPERATING TEMP
-20°C ~ 50°C

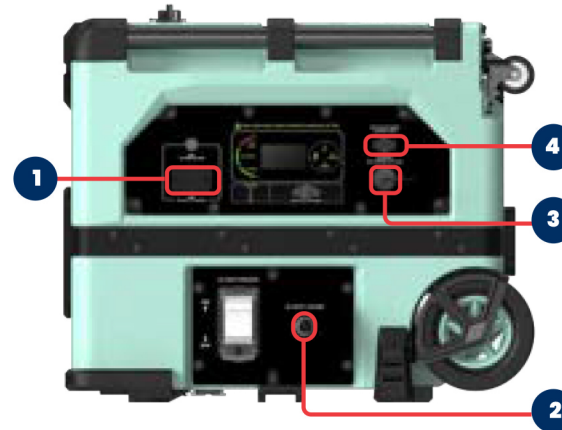
TAKE CONTROL OF YOUR POWER

SINGLE-PHASE 230V | 6000W



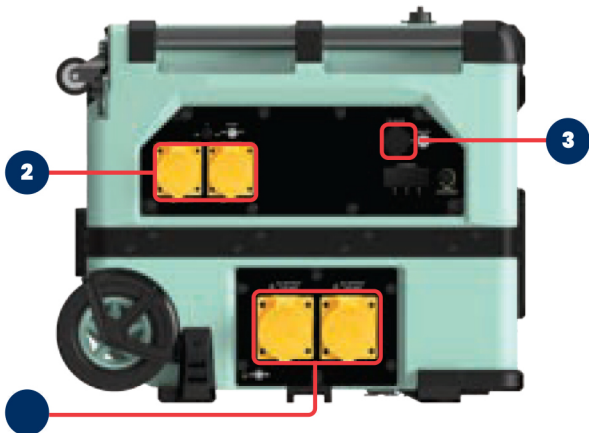
- 1 32A SOCKET
- 2 UK 230V SOCKET
- 3 EU 230V SOCKET
- 4 DC 12V 10A
- 5 OPTIONAL EV CHARGER OUTPUT

SINGLE-PHASE CHARGING INPUTS



- 1 16A AC
- 2 32A AC
- 3 SOLAR INPUT
- 4 ALTERNATOR DRIVE CHARGER

SINGLE-PHASE 110V | 5000W



- 1 2x 32A AC SOCKETS
- 2 2x 16A AC SOCKETS
- 3 DC 12V 10A

NON-AC MAINS CHARGERS SOLD SEPARATELY

110V: MAX. 150V/3000W
230V: MAX. 450V/5500W



CUSTOMISE YOUR OUTPUT CONFIGURATIONS

ALL SOCKETS (UK/EU/US) CAN BE CUSTOMISED AND CONFIGURED TO REQUIRED SPECIFICATION

INDUSTRIAL



EASILY TRANSPORTED

Mobility built in with a telescopic handle and large wheels - Relocates with ease, wherever you need it



IP43 WATER & DUST PROOF

Designed for maximum Protection in Construction Environments



PATENTED COOLING SYSTEM

Versatile Applications From Construction sites to Film studios



INDUSTRIAL GRADE POWER - ANYWHERE

Engineered for industry, adaptable for life—power your RV, site cabin, or mobile workspace with ease.

IDEAL FOR POWERING



CUT-OFF SAW



ELECTRIC JACK HAMMER



DIAMOND CORE DRILL



CONSTRUCTION TABLE SAW



 IP43 RATED

STACKABLE EXPANSION BATTERY PACKS

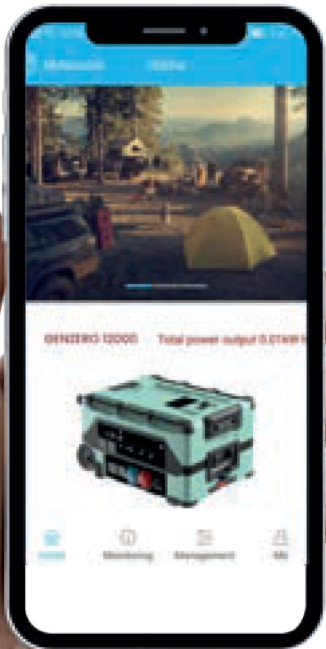
ADD UP TO 31 BATTERY PACKS
Each with a capacity of **3430Wh**

TOTAL EXPANSION CAPACITY
109,760Wh

BLUETOOTH APP MONITORING



GenMate
AVAILABLE ON
IOS & ANDROID



LOCATION AWARENESS

The Genmate App shows the location of the connected mobile phone, helping you check where your GenZero is being used.



BATTERY STATUS

Track real-time battery health, including state of charge, run-time, and operating temperature for optimal performance and reliability



USAGE MONITORING

GenZero tracks access times and energy usage when connected to a router, giving you insight into system activity.

OPTIONAL USE IN PARALLEL

STACK TWO UNITS TOGETHER
Doubling the output Wattage and Runtime (230V Model Only)



TOTAL PARALLEL CAPACITY
7200W



2X 15W WIRELESS PHONE CHARGER