

LEDX.NO

LED expert AS
Torpumveien 543
1788 Halden

E-post: post@ledx.no
Tlf: 909 54 606



C-3600W

INDUSTRIAL-GRADE DESIGN

RUGGED FOUR-WHEEL CHASSIS, LARGE-DIAMETER WHEELS, AND RUBBER BUMPERS ENSURE DURABILITY IN TOUGH ENVIRONMENTS

ULTRA-FAST CHARGING

RECHARGES TO 80% IN JUST ONE HOUR AND FULL CHARGE IN 1 HOUR 30 MINUTES, ENSURING MINIMAL DOWNTIME

10 YEARS OF POWER

LFP BATTERIES ENSURE LONG-LASTING STABILITY AND ENHANCED SAFETY, DELIVERING 3000+ BATTERY CYCLES

INTEGRATED SOLAR INVERTER

ENABLES DIRECT SOLAR CHARGING, ENHANCING ENERGY EFFICIENCY AND SEAMLESS OFF-GRID POWER MANAGEMENT

UNINTERRUPTED POWER SUPPLY

HIGH-SPEED 20ms SWITCH-OVER ENSURES SEAMLESS OPERATION, KEEPING CRITICAL DEVICES POWERED WITHOUT INTERRUPTION

10
YEAR

PRODUCT
WARRANTY

5
YEAR

BATTERY
WARRANTY



BATTERY CAPACITY
3430 Wh



OUTPUT POWER
3600W



AC PEAK OUTPUT
7200W



AC VOLTAGE
110V | 230V



CHARGE TIME
1 Hr 30 Mins



WAVE TYPE
Pure Sine Wave



TOTAL WEIGHT
45KG



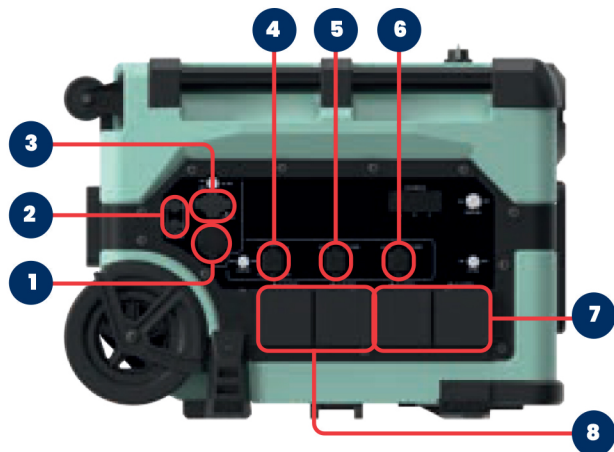
DIMENSION (mm)
555 x 430 x 420



OPERATING TEMP
-20°C ~ 50°C

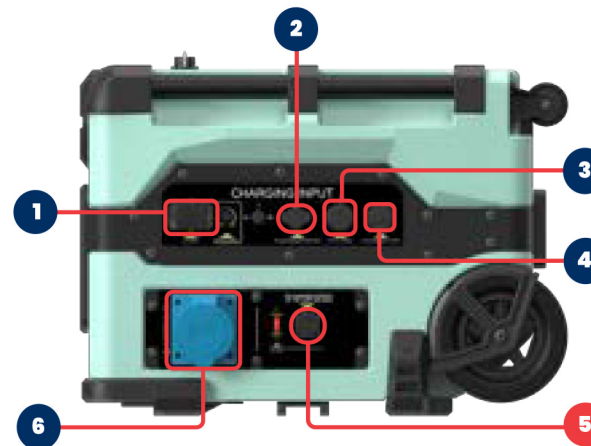
TAKE CONTROL OF YOUR POWER

SINGLE-PHASE 230V | 3600W



- 1 DC 12V 10A
- 2 2x DC 12V 6A
- 3 DC 12V 30A
- 4 2x USB-A 5V 3.1A
- 5/6 USB-A 3.0 + USB-C
- 7 UK AC SOCKET
- 8 EU AC SOCKET

SINGLE-PHASE CHARGING INPUTS



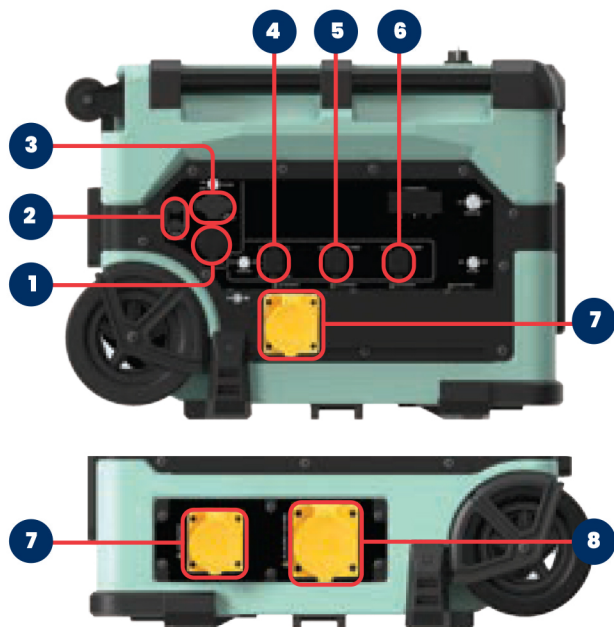
- 1 16A AC
- 2 ALTERNATOR DRIVE CHARGER
- 3 SOLAR INPUT
- 4 WIND TURBINE

230V MODEL ONLY

- 5 OPTIONAL EV CHARGER OUTPUT
- 6 32A AC OUTPUT

NON-AC MAINS CHARGERS SOLD SEPARATELY

SINGLE-PHASE 110V | 3600W



- 1 DC 12V 10A
- 2 2x DC 12V 6A
- 3 DC 12V 30A
- 4 2x USB-A 5V 3.1A
- 5/6 USB-A 3.0 + USB-C
- 7 2x 16A AC SOCKET
- 8 32A AC SOCKET

230V ONLY: MAX. 150V/1200W



CUSTOMISE YOUR OUTPUT CONFIGURATIONS

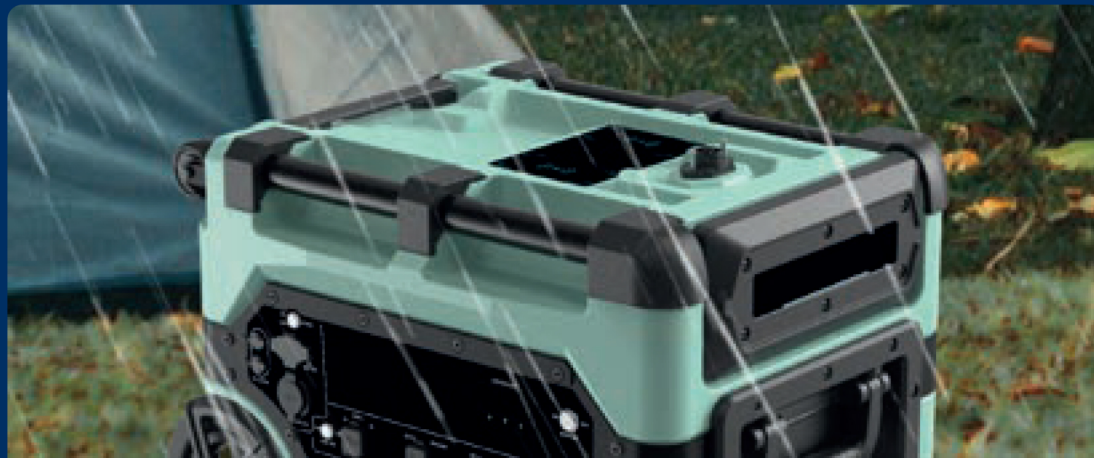
ALL SOCKETS (UK/EU/US) CAN BE CUSTOMISED AND CONFIGURED TO REQUIRED SPECIFICATION

INDUSTRIAL



EASILY TRANSPORTED

Mobility built in with a telescopic handle and large wheels - Relocates with ease, wherever you need it



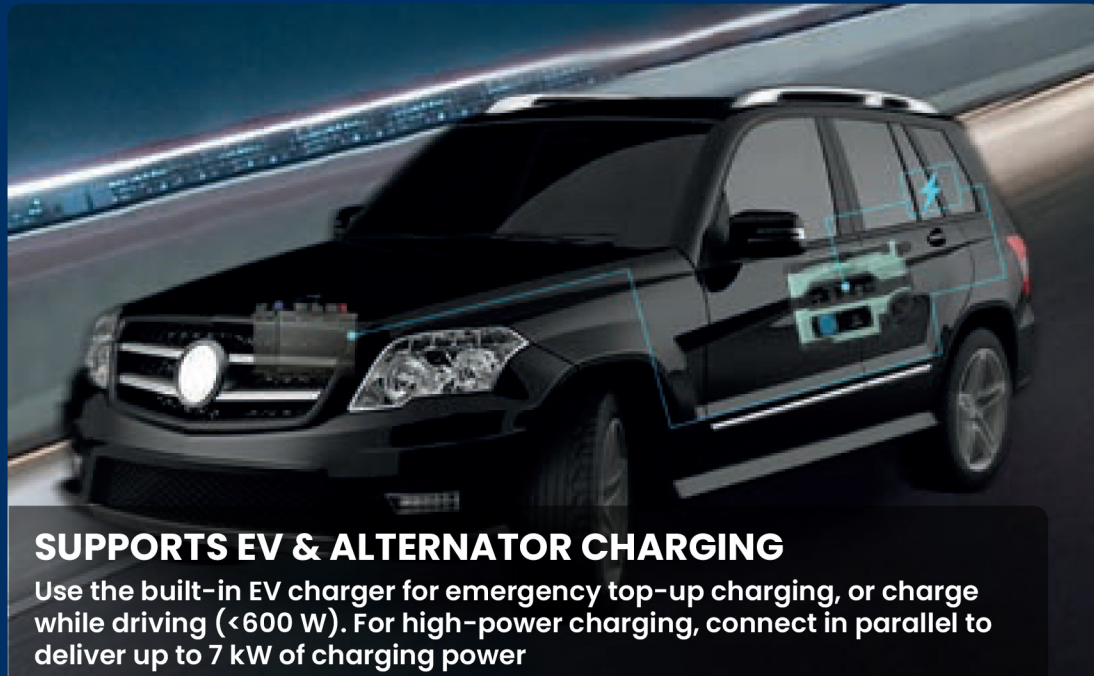
IP43 WATER & DUST PROOF

Designed for maximum Protection in Harsh Environments



PATENTED COOLING SYSTEM

Versatile Applications From Construction sites to Film studios



SUPPORTS EV & ALTERNATOR CHARGING

Use the built-in EV charger for emergency top-up charging, or charge while driving (<600 W). For high-power charging, connect in parallel to deliver up to 7 kW of charging power

IDEAL FOR POWERING



CUT-OFF SAW



ELECTRIC JACK HAMMER



DIAMOND CORE DRILL



CONSTRUCTION TABLE SAW