

LEDX.NO

LED expert AS
Torpumveien 543
1788 HaldenE-post: post@ledx.no
Tlf: 909 54 606

Power:	480W
Working voltage:	AC90-305V, 50/60Hz, 2.2A(at 230v);249-528V AC for option
PF:	> 0.95
IP/IK Grade:	IP67, IK09
THD:	<10% (at 230v, 50Hz)
Surge protection:	L/N-PE: 10KV, L-N: 6KV; 20KV version is for option.

TECHNICAL CHARACTERISTICS

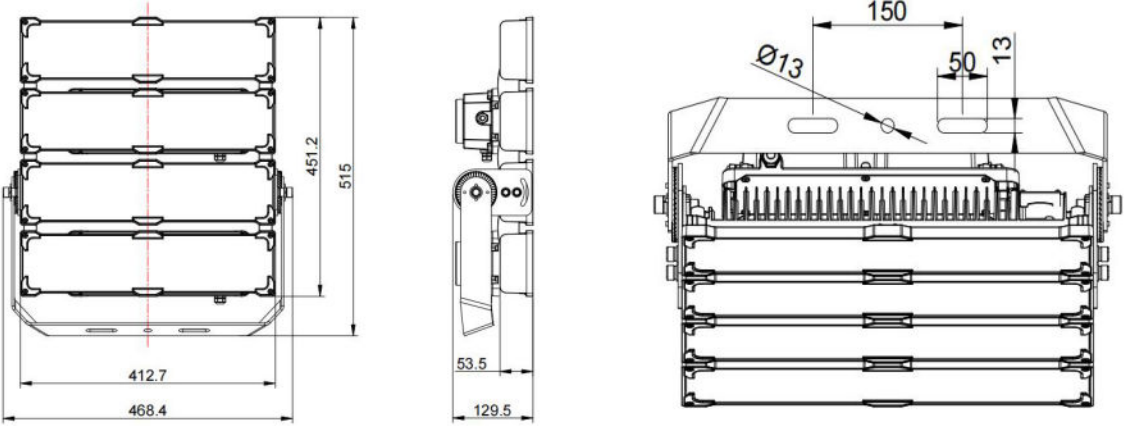
Color:	Warm White	Natural White	Cool White
Color Temperature:	2700-3200K	4000-4500K/5000-5500K	5700-6500K
CRI:	>70Ra/80Ra	>70Ra/80Ra	>70Ra/80Ra
Light Efficiency:	140-160lm/w		
View angle:	20°,30°, 45°, 60°, 90°,120°,60x120°, 90x120°, Type 2, Type 3, Type 4		

CONFIGURATIONS

LED chip:	3030 SMD
Materials:	Die casting aluminum ADC12, PC lens+tempering glass
Body color:	Grey

OTHERS

Operating Temperature:	-35°C - 45°C
Operating Humidity:	10% - 90% RH
Net W./Gross W.:	12.5kgs/13.5kgs
Packing size:	49x53x17cm
Warranty:	7 years
Certificates:	CE,CB, TUV ENEC, RoHS, SAA, LM79, LM80, TM21

(mm)

Brown/Black: Live Wire(L)

L  Brown

Blue/White: Neutral Wire(N)

N  Blue

Yellow/Green: Ground Wire(G)

⊕  Yellow**The Ground Wire must be connected correctly!****Warning:**

- A. Before installation or wiring the lamps, please make sure the power is switched off;
- B. Before cleaning or repairing the lamp, please make sure the power is switched off;
- c. The lamp body will be very hot while working, do not touch it with your hand.