

# MODELS M4.5 & P4.5

With autonomy up to 15h and 6,3kW of power, the M4.5 (manual) and P4.5 (pneumatic) lighting towers are easy to transport and install in places with reduced accessibility, also having low maintenance needs.

Depending on the required power, both models can incorporate one of the three portable generators (GR2500, GR3000 and GR6500), they have 2 LED lamps of 350W each, a lighting range of 2.500m<sup>2</sup>, and a mast extendable up to 4,5m.

AUTONOMY UP TO  
**15h** 

**2x350W**

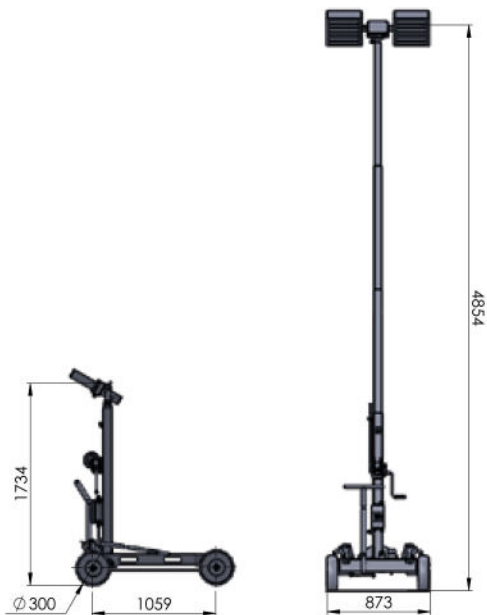


RESISTANCE TO  
WIND UP TO  
**40** km/  
hour 

**2.500m<sup>2</sup>**  
LIGHT  
COVERAGE 

**50.000h**  
LAMPS  
LIFESPAN 

MANUAL &  
PNEUMATIC  
**4.5m**



MODEL P4.5



MODEL P4.5

		MODEL M4.5			MODEL P4.5		
GENERAL FEATURES	UNITS	GR2500	GR3000	GR6500	GR2500	GR3000	GR6500
Light coverage	m <sup>2</sup>	2500 (minimum 10 lux)			2500 (minimum 10 lux)		
Lamps		LED			LED		
Lamp durability	h	50.000			50.000		
Mast		Manual vertical			Pneumatic vertical		
Extra features		Easy and compact plug-n-play solution			Pneumatic, fast and easy installation		
PERFORMANCE DATA	UNITS						
Frequency	Hz	50			50		
Voltage	VAC	400   230			400   230		
Nominal Power (PRP)	kW	2	2,8	6,3	2	2,8	6,3
Operating temperature	°C	-15 / 40			-15 / 40		
Sound level at 7m	db(A)	92			92		
ENGINE	UNITS						
Emissions certificate		Stage V			Stage V		
Speed	rpm	3000			3000		
Coolant		Air			Air		
Cylinders		-			-		
ALTERNATOR	UNITS						
Nominal Output	kW	-	3	6,5	-	3	6,5
Insulation / Closed Protection	class / IP	-	IP23M	IP23M	-	IP23M	IP23M
FUEL CONSUMPTION	UNITS						
Capacity	l	4,5	15	25	4,5	15	25
Autonomy (50% of charge)	h	5,4	15,2	10,9	5,4	15,2	10,9
POWER OUTPUT	UNITS						
Auxiliar power	kW	1	1,5	5	1	1,5	5
LAMPS	UNITS						
Spotlights		LED			LED		
Power	W	2 x 350			2 x 350		
Lumens total		2 x 50.000 = 100.000			2 x 50.000 = 100.000		
MAST	UNITS						
Rotation		360			360		
Maximum height	m	4,5			4,5		
Maximum wind speed	km/h	40			40		
DIMENSIONS	UNITS						
Dimensions in transport fixed tow bar (l x w x h)	m	1,38 x 0,88 x 1,90			1,38 x 0,88 x 1,90		
Weight	kg	110 (without the generator)			130 (without the generator)		