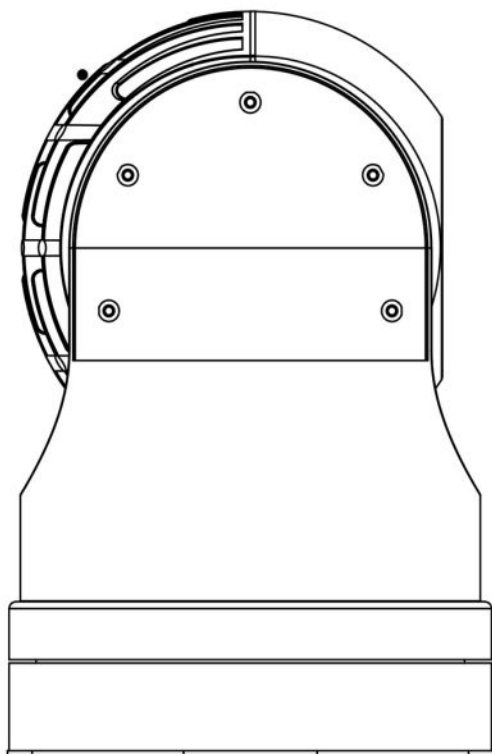


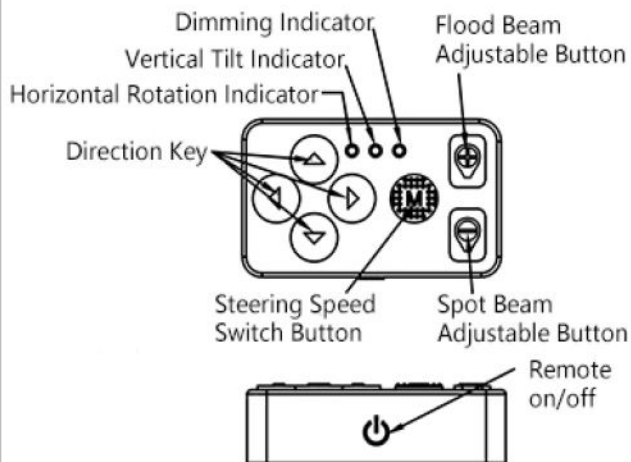
## Remote Control Searchlight

### 1. Package includes:

#### 1.1 Lamp



#### 1.2 Wireless Sensor



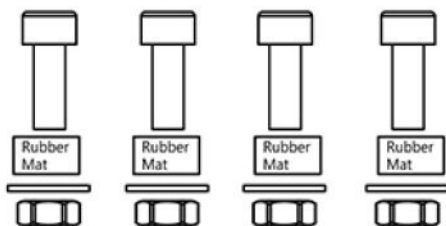
#### 1.3 Power Cable, 30cm



#### 1.4 M6X40 Hex Bolts

Rubber mat

M6 Nuts and washers 4 sets

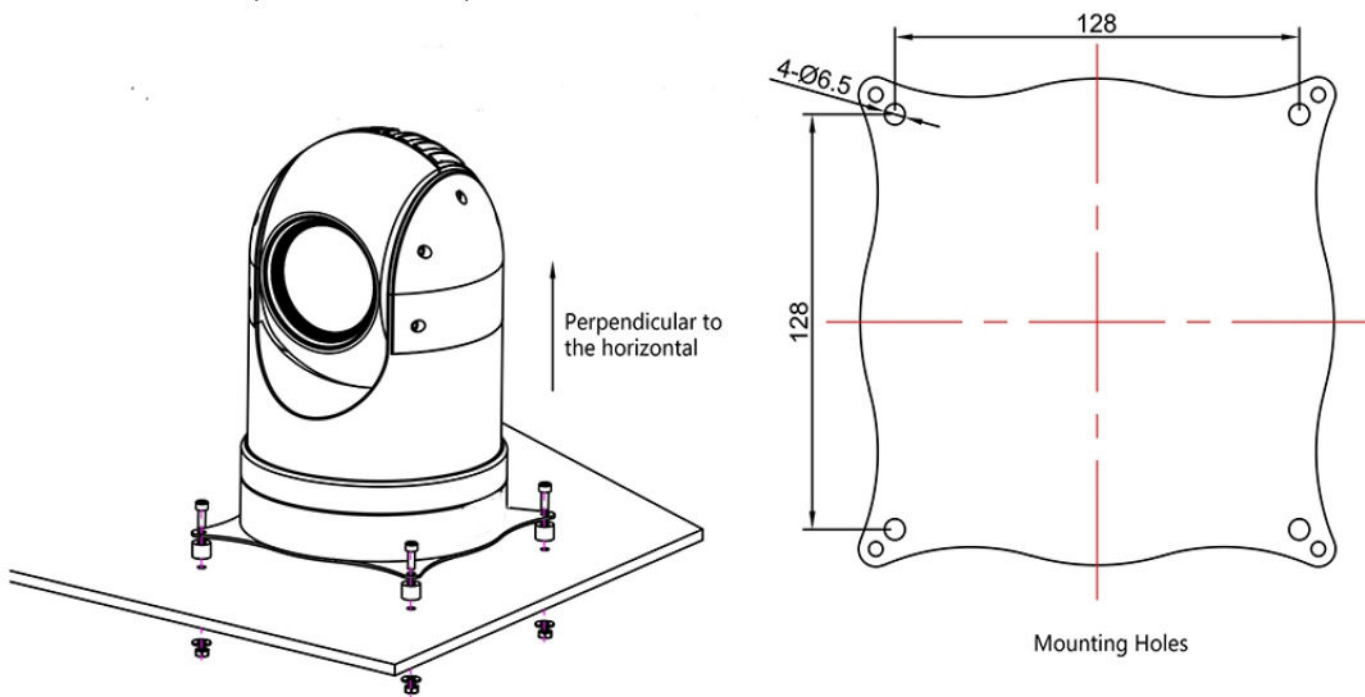


#### Lamp Specifications

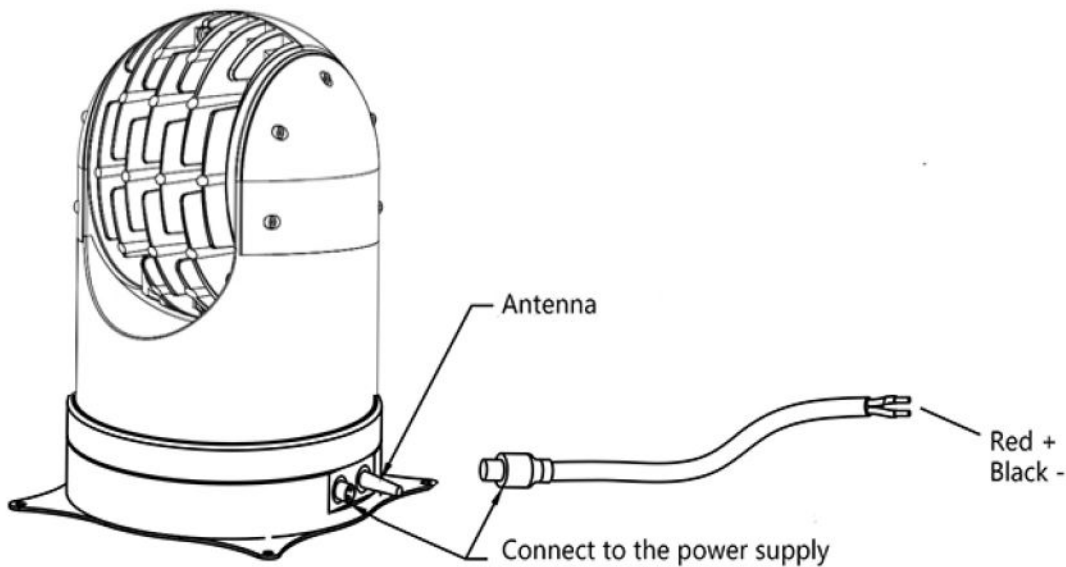
- \* Input Voltage: 10-36V DC
- \* Current Draw: 12V@5A
- \* Color Temp: 6000K
- \* Beam: Flood/Spot, adjustable
- \* Waterproof: IP65
- \* Materials: Alu, PC, ABS
- \* Lamp Housing: Black or White
- \* Horizontal Rotation: 360 degrees
- \* Vertical Tilt: 110 degrees
- \* Control Mode: by handheld remote
- \* Rotating Speeds: two modes, fast and slow

## 2. How to Install:

2.1 Install the lamp: Install the lamp as shown below.



2.2 Connect the cables: Please connect the wires as shown below.



## 3. How to Operate the Lamp:

3.1 Turn on the power supply.

3.2 Press once the Remote on/off switch to turn on/off the lamp.

3.3 Use the Direction Keys to control the rotation.

3.4 Steering Speed Switch Button - There are two rotation speeds, fast and slow. Press the button once to switch the speed.

3.5 By pressing Flood or Spot Beam Adjustable Button, you can switch the beam from 5 to 45 degrees.

3.6 Enjoy your work.

## 4. Matters Need Attention:

4.1. Do not forcibly control the horizontal rotation and vertical tilt of the lamp with hands, which will cause irreversible damage;

4.2. Connect to the power supply strictly in accordance with the input voltage of the lamp.