

Model B

Die cast aluminum body highly resistant rated IP67 with a lifetime of 85.000 hours

- 350° Mast rotation
- Zinc-plating vertical mast with hydraulic lifting system
- Zero carbon and noise emissions, no fuel costs and maintenance
- 4 Stabilizers that ensure great stability even in the most critical application



TECHNICAL SPECIFICATION

Rated Frequency	50 Hz
Rated Voltage	230 V
Rated Power	/
Operating temperature	-30/+50 °C
Sound level	0 dB
Control unit	/
Auxiliary power	/

ENERGY CONSUMPTION

Consumption	4x320w= 1.3 kW
	6x160w= 0.96 kW
	6x320w = 1.92 kW

GALVANIZED MAST

Height	8,5 m
Mast	Hydraulic
Rotation	350 °
Wind resistance	110 km/h

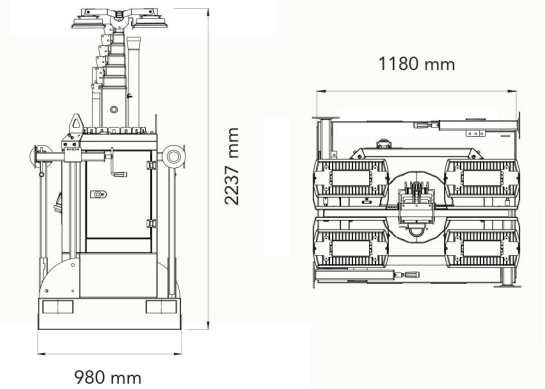
CANOPY AND TRAILER

Trailer	Stationary
Tyres	/
Basement	/
Stabilizers	2
Canopy	Powder coating paint
Optional included as standard	/

LIGHTING AREA

FLOODLIGHT	LUMEN	LIGHT COVERAGE
6X320 W MultiLED	249300 lm	7800 mq
4X320 W MultiLED	166200 lm	5000 mq
6X160 W MultiLED	122100 lm	4200 mq

DIMENSIONS & SHIPMENT



118 x 98 x 224 cm
550 kg

STRENGTHS

WITHOUT ENGINE	NO ACOUSTIC EMISSION
CONNECTABLE IN SERIES	NO CO2 EMISSION
350°	NO FUEL COSTS
8,5 M HEIGHT	NO MAINTENANCE COSTS