

Model A

Die cast aluminum body highly resistant
rated IP67 with a lifetime of 85.000 hours

- 350° Mast rotation
- Zinc-plating vertical mast with hydraulic lifting system
- Road-tow trailer approved for EU roads
- Autostart mode by dusk&dawn sensor and timer
- AMOSS KIT (Automatic Mast Operator Safety System)

STRENGTHS



DIESEL

KOHLER
YANMAR**RPM** 1500

LIQUID COOLED



8,5 M HEIGHT



TECHNICAL SPECIFICATION

Rated Frequency	50 Hz
Rated Voltage	230 V
Rated Power	3,5 KW
Operating temperature	-30/+50 °C
Sound level	61 dB at 7 m
Control Unit	DeepSea L401 MKII
Auxiliary power	1,2 kVA

ENGINE

Model	Yanmar 2TNV70 Kohler KDW 702
Speed	1500 rpm
Coolant	Liquid
Cylinders	2
Emission	Stage V

ALTERNATOR

Model	Linz Alumen
Rated output	3,5 kVA
Regulation	Brushless
Voltage accuracy	+/- 5%

ENERGY CONSUMPTION

Tank	120 l
Fuel	Diesel
Running time	218 h
Fuel consumption	0,55 l/h

GALVANIZED MAST

Height	8,5 m
Mast	Hydraulic
Rotation	350°
Wind resistance	110 km/h

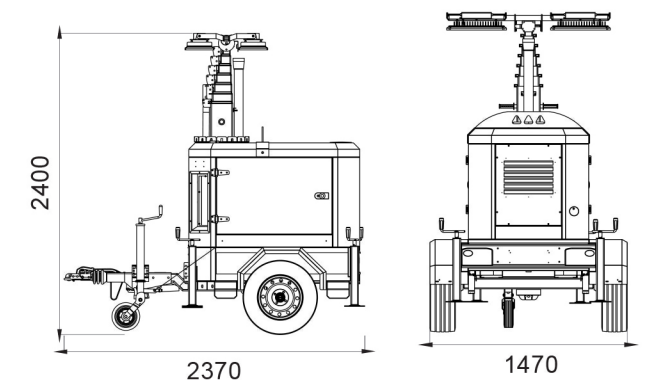
CANOPY AND TRAILER

Trailer	Road-tow trailer EU approved
Tyres	185 / 70 / R13
Basement	Bunded base 120%
Stabilizers	4 + 1 (Wheel)
Canopy	Powder coating paint

LIGHTING AREA

FLOODLIGHT	LUMEN	LIGHT COVERAGE
6X320 W MultiLED	249200 lm	7800 mq
4X320 W MultiLED	166200 lm	5000 mq
6X160 W MultiLED	122100 lm	4200 mq

DIMENSIONS & SHIPMENT



DIMENSION 237 x 147 x 240 cm
850 kg