

Model P

Die cast aluminum body highly resistant
rated IP67 with a lifetime of 85.000 hours

- 350° Mast rotation
- Zinc-plating vertical mast with manual lifting system
- Adjustable stabilizers
- Retractable transport handles

STRENGTHS



GASOLINE



ARION 6000

RPM 3000

AIR COOLED



5,5 M HEIGHT



TECHNICAL SPECIFICATION

Rated Frequency	50 Hz
Rated Voltage	230 V
Rated Power	4.8 KW
Operating temperature	-30/+50 °C
Sound level	70 dB
Control Unit	/
Auxiliary power	3.2 kVA

ENGINE

Model	Arion 6000
Speed	3000 rpm
Coolant	Air
Cylinders	1
Emission	/

ALTERNATOR

Model	Arion 6000
Rated output	4.8 kVA
Regulation	Brushless
Voltage accuracy	+/- 5%

ENERGY CONSUMPTION

Tank	25 l
Fuel	Gasoline
Running time	27 h
Fuel consumption	0,9 l/h

GALVANIZED MAST

Height	5,5 m
Mast	Manual
Rotation	350 °
Wind resistance	80 km/h

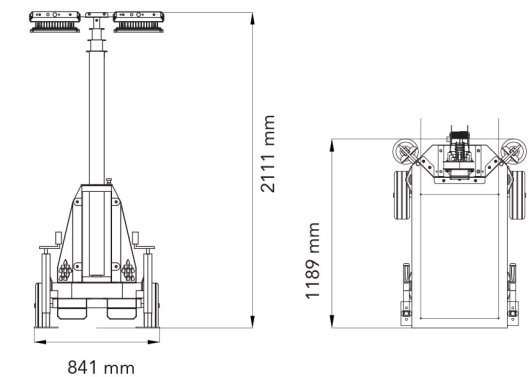
CANOPY AND TRAILER

Trailer	Hand Trolley
Tyres	/
Basement	/
Stabilizers	2
Canopy	Powder coating paint

LIGHTING AREA

FLOODLIGHT	LUMEN	LIGHT COVERAGE
4X160 W MultiLED	81400 lm	2400 mq
4X75 W MultiLED	36900 lm	1500 mq

DIMENSIONS & SHIPMENT



841 mm

2111 mm

1189 mm

84 x 119 x 211 cm

249 kg