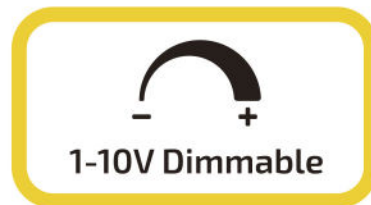


LEDX.NO

LED expert AS
Torpumveien 543
1788 Halden

E-post: post@ledx.no
Tlf: 909 54 606



Description:

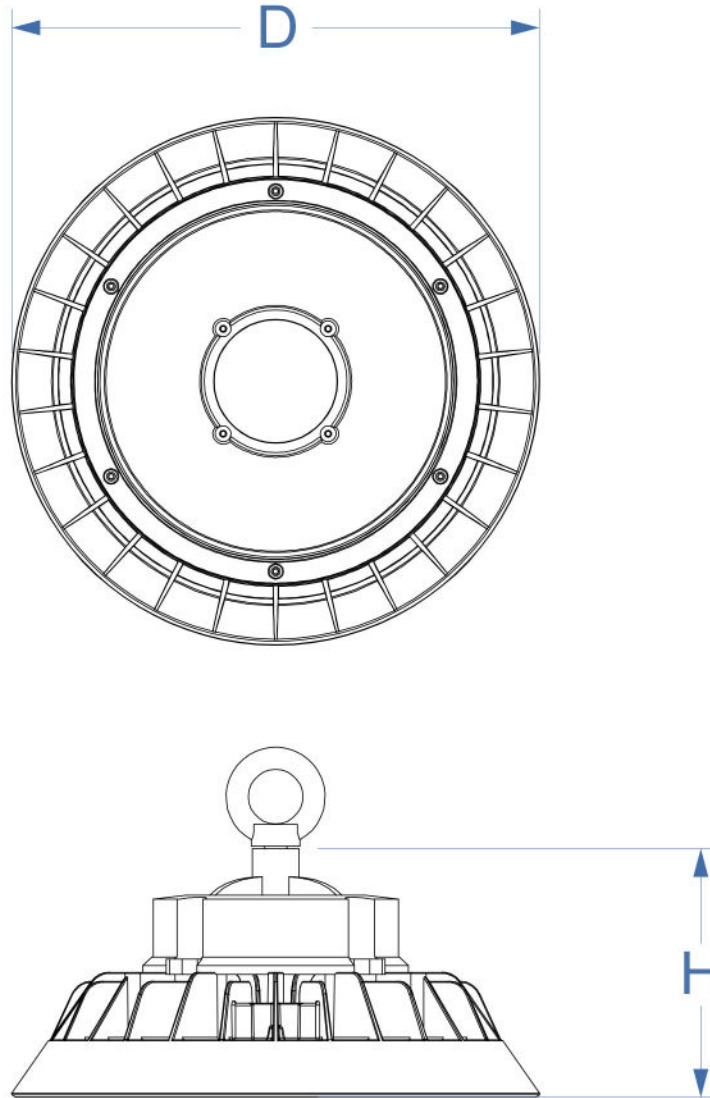
- ★ This product use durable and long life span LED light source, downy light, no glare, simple design.
- ★ This product waterproof and dustproof level 65. Can be used in various of places.
- ★ Mainly use the aluminum alloy as the material with PC lens . Work safely and durable under different conditions.
- ★ Adopted 2835 SMD Led light source, Large-Size Chip with High brightness and low light fades, Enough Current margin, Led chip Rated current 150mA, actual use only 120mA, Extend led Lights lifespan and increase Light Efficiency.
- ★ Adopted 0-10V Dimming Driver, Universal AC Input/Full range up to AC 220-240V. Protection function: short circuit/over current/over voltage/over temperature, Built-in. active PFC function, $PF \geq 0.95$ and Conversion efficiency $\geq 94\%$ Fully encapsulated with IP65 Level.
- ★ Warm/pure/cool white all avialble with high CRI
- ★ Integrated fixture structure, Air convection design for reliable lifetime.

Applications:

For the workshop, factory, warehouse, highway toll stations, gas stations, supermarkets, exhibition halls, stadiums and Other places of lighting required.



Dimensions(Unit:mm)



Power	Product Size(D*H)
100W	Φ238mm*H122mm
150W	Φ283mm*H128mm
200W	Φ324mm*H136mm
240W	Φ363mm*H140mm

100 W

Input Voltage	Max.Current	Operating Voltage	Constant Current	Power Consumption	Power Factor	
AC200-240V	0.5A	DC120V	0.78A	100W	≥0.95	
LED Type	LED Q'ty	CRI	CCT	2900-3100K	4000-4500K	5500-6000K
			Luminous efficiency	140LM/W	150LM/W	150LM/W
SMD2835	140PCS	≥80Ra	Luminous flux	14000LM±10%	15000LM±10%	15000LM±10%
			Beam Angle	120° or 90°		
Life Time	Certifications	IP Code	Luminaires Class	product dimension	N.W	
50.000Hours	CE,RoHS	IP65	Class I	Φ238*122mm	1.8Kg	
Operating Temperature	Storage Temperature	Humidity Operating	Humidity Storage	Packing dimension	G.W	
-20°Cto+50°C	-30°Cto+60°C	10-80%RH	10-90%RH	L280*W280*H145mm	2.1Kg	
Outer carton package	4*1layer=4PCS/carton,K=K corrugated paper, L585*W295*H330mm,GW:9.23KG					
Optional dimming type	0-10V Dimming					

150 W

Input Voltage	Max.Current	Operating Voltage	Constant Current	Power Consumption	Power Factor	
AC200-240V	0.75A	DC120V	1.1A	150W	≥0.95	
LED Type	LED Q'ty	CRI	CCT	2900-3100K	4000-4500K	5500-6000K
			Luminous efficiency	140LM/W	150LM/W	150LM/W
SMD2835	220PCS	≥80Ra	Luminous flux	21000LM±10%	22500LM±10%	22500LM±10%
			Beam Angle	120° or 90°		
Life Time	Certifications	IP Code	Luminaires Class	product dimension	N.W	
50.000Hours	CE,RoHS	IP65	Class I	Φ283*128mm	2.3Kg	
Operating Temperature	Storage Temperature	Humidity Operating	Humidity Storage	Packing dimension	G.W	
-20°Cto+50°C	-30°Cto+60°C	10-80%RH	10-90%RH	L325*W325*H150mm	2.6Kg	
Outer carton package	3*1layer=3PCS/carton,K=K corrugated paper, L345*W345*H495mm,GW:8.78KG					
Optional dimming type	0-10V Dimming					

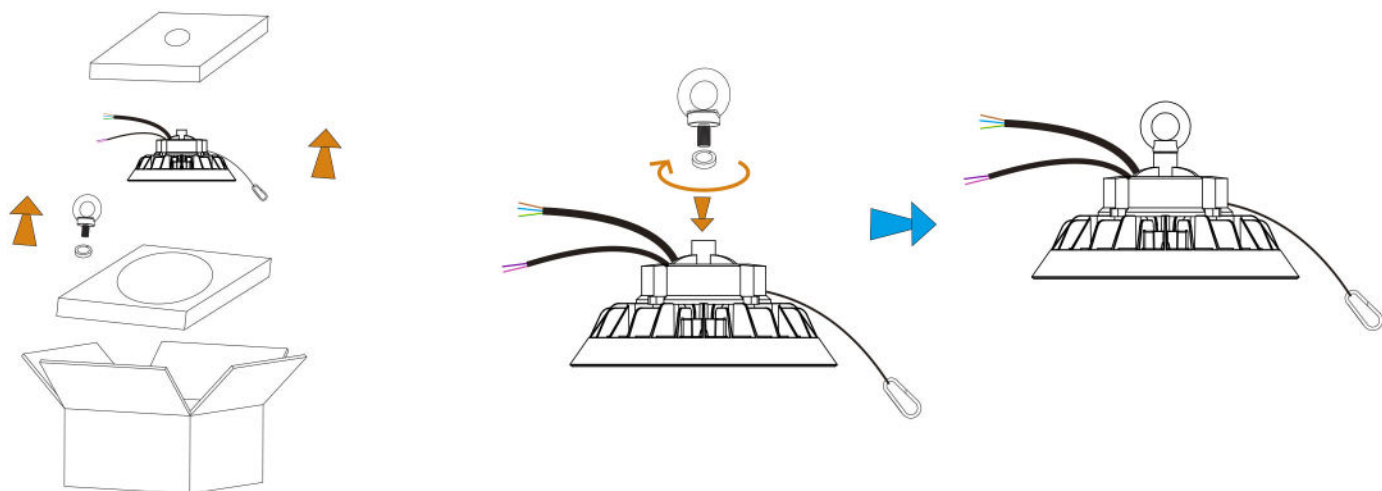
200 W

Input Voltage	Max.Current	Operating Voltage	Constant Current	Power Consumption	Power Factor	
AC200-240V	1.0A	DC120V	1.55A	200W	≥0.95	
LED Type	LED Q'ty	CRI	CCT	2900-3100K	4000-4500K	5500-6000K
			Luminous efficiency	140LM/W	150LM/W	150LM/W
SMD2835	280PCS	≥80Ra	Luminous flux	28000LM±10%	30000LM±10%	30000LM±10%
			Beam Angle	120° or 90°		
Life Time	Certifications	IP Code	Luminaires Class	product dimension	N.W	
50.000Hours	CE,RoHS	IP65	Class I	Φ324*136mm	3.4Kg	
Operating Temperature	Storage Temperature	Humidity Operating	Humidity Storage	Packing dimension	G.W	
-20°Cto+50°C	-30°Cto+60°C	10-80%RH	10-90%RH	L365*W365*H160mm	3.7Kg	
Outer carton package	3*1layer=3PCS/carton,K=K corrugated paper, L385*W385*H525mm,GW:12.05KG					
Optional dimming type	0-10V Dimming					

240 W

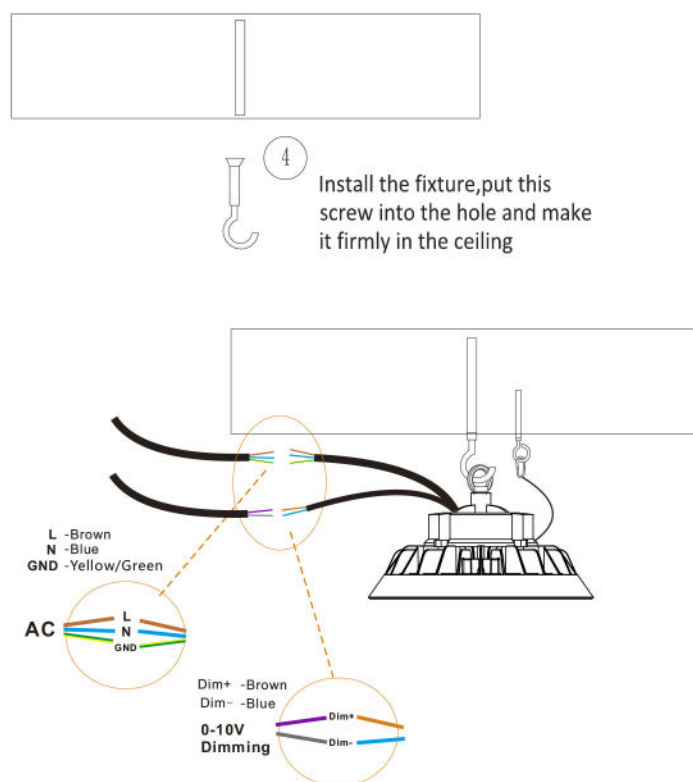
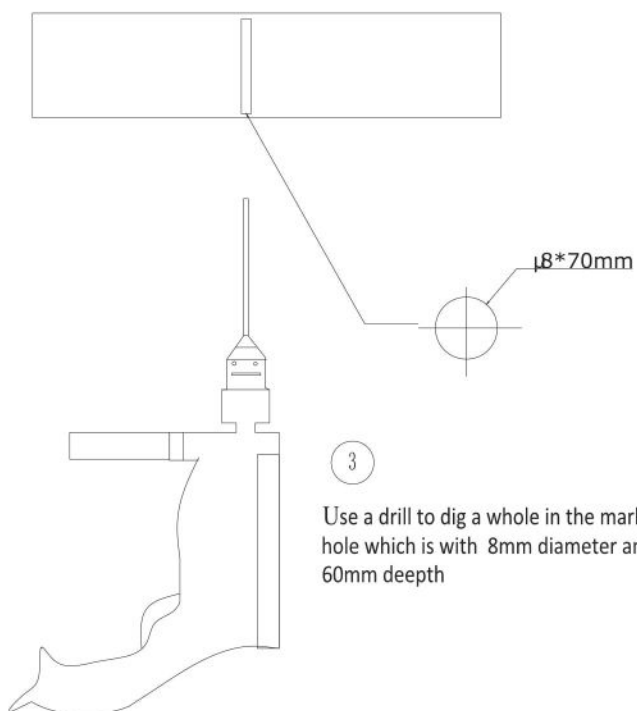
Input Voltage	Max.Current	Operating Voltage	Constant Current	Power Consumption	Power Factor	
AC200-240V	1.2A	DC216V	1.04A	240W	≥0.95	
LED Type	LED Q'ty	CRI	CCT	2900-3100K	4000-4500K	5500-6000K
			Luminous efficiency	140LM/W	150LM/W	150LM/W
SMD2835	360PCS	≥80Ra	Luminous flux	33600LM±10%	36000LM±10%	36000LM±10%
			Beam Angle	120° or 90°		
Life Time	Certifications	IP Code	Luminaires Class	product dimension	N.W	
50.000Hours	CE,RoHS	IP65	Class I	Φ363*140mm	4.0Kg	
Operating Temperature	Storage Temperature	Humidity Operating	Humidity Storage	Packing dimension	G.W	
-20°Cto+50°C	-30°Cto+60°C	10-80%RH	10-90%RH	L400*W400*H160mm	4.3Kg	
Outer carton package	2*1layer=2PCS/carton,K=K corrugated paper, L420*W420*H360mm,GW:9.6KG					
Optional dimming type	0-10V Dimming					

UFO LED High Bay lamps use method



- ① Open the box and take out the UFO and mounting bolt and spring washer

- ② Tighten the mounting bolt and spring washer to the UFO drive



- ⑤ Hang on the light and connect the wire. Then light up to test