

Product Specifications

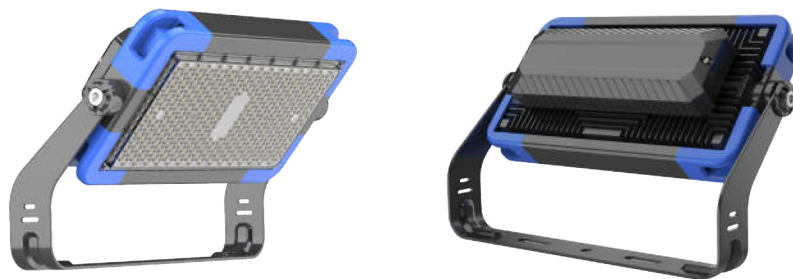


Features

- Separate modular design, 250W each modular integrated with driver;
- Use high quality LEDs and power supply to ensure the product reliability and life expectancy, 5 years warranty;
- An-ti UV optical lens, light transmittance > 94%, professional light distribution with different beam angles for various applications;
- Lumileds chip and Mean Well driver, CRI > 80, high light efficiency 140Lm/w;
- IP66 structural waterproof design.

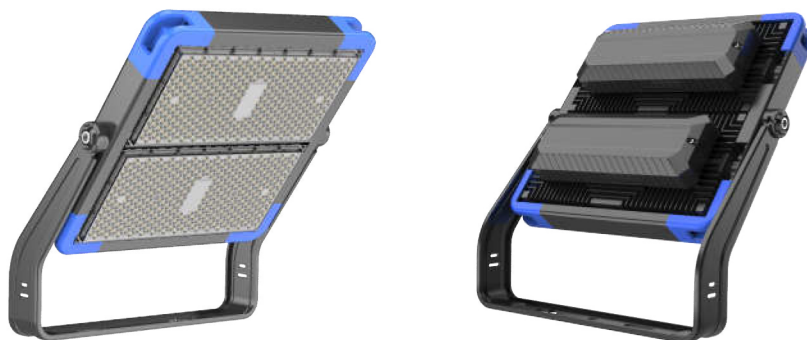
Technical Specifications

250 watt



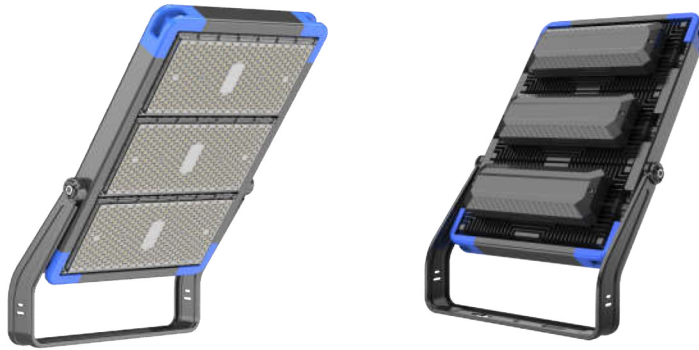
	LEDs	Lumileds
Optical	Lumen Output	35000lm±10%
	Luminous Efficiency(lm/w)	140lm/w
	Color Temperature(CCT)	2700-6500K
	Color Rendering Index(CRI)	Ra>80
	Beam Angle θ/2	10°/25°/45°/60°/90°/130°*40°
	Light Decay Rate(%)	Less than 3% in 6,000Hours
	Lifespan(Hrs)	≥50,000Hrs
	Electrical	Power Consumption(W)
Input Voltage(V)		100-240VAC
Frequency(Hz)		50/60Hz
Power Factor(PF)		>0.95
Start Time(s)		≤0.1s
Driver Efficiency		>93%
Total Harmonic Distortion(THD)		<20%
Driver		Mean Well
Mechanical	Material	Aluminum+Polycarbonate
	Degree of Protection	IP66
	Dimensions(mm)	460*222*111mm
	Net Weight	9KG
	Appearance	Black
	Installation	Mounting
	Package	1pcs/CTN
	Gross Weight	10KG
	Outer Cartoon Dimensions(mm)	323*502*256mm
Other	Working Temperature & Humidity	-25°C~+50°C, 10%~90%R.H.
	Storage Temperature & Humidity	-40°C~+70°C, 0%~95%R.H.
	Certificate	CE, RoHS
	Warranty	5 years
	Dimmable	0-10V/PWM/Dali Available

500 watt



Optical	LEDs	Lumileds
	Lumen Output	70000lm ± 10%
	Luminous Efficiency(lm/w)	140lm/w
	Color Temperature(CCT)	2700-6500K
	Color Rendering Index(CRI)	Ra>80
	Beam Angle θ/2	10°/25°/45°/60°/90°/130°*40°
	Light Decay Rate(%)	Less than 3% in 6,000Hours
	Lifespan(Hrs)	≥50,000Hrs
Electrical	Power Consumption(W)	500W ± 10%
	Input Voltage(V)	100-240VAC
	Frequency(Hz)	50/60Hz
	Power Factor(PF)	>0.95
	Start Time(s)	≤0.1s
	Driver Efficiency	>93%
	Total Harmonic Distortion(THD)	<20%
	Driver	Mean Well
Mechanical	Material	Aluminum+Polycarbonate
	Degree of Protection	IP66
	Dimensions(mm)	460*399*111mm
	Net Weight	15.5KG
	Appearance	Black
	Installation	Mounting
	Package	1pcs/CTN
	Gross Weight	17KG
	Outer Carton Dimensions(mm)	536*502*256mm
Other	Working Temperature & Humidity	-25°C~+50°C, 10%~90%R.H.
	Storage Temperature & Humidity	-40°C~+70°C, 0%~95%R.H.
	Certificate	CE, RoHS
	Warranty	5 years
	Dimmable	0-10V/PWM/Dali Available

750 watt



	LEDs	Lumileds
Optical	Lumen Output	105000lm ± 10%
	Luminous Efficiency(lm/w)	140lm/w
	Color Temperature(CCT)	2700-6500K
	Color Rendering Index(CRI)	Ra>80
	Beam Angle θ/2	10°/25°/45°/60°/90°/130°*40°
	Light Decay Rate(%)	Less than 3% in 6,000Hours
	Lifespan(Hrs)	≥50,000Hrs
Electrical	Power Consumption(W)	750W ± 10%
	Input Voltage(V)	100-240VAC
	Frequency(Hz)	50/60Hz
	Power Factor(PF)	>0.95
	Start Time(s)	≤0.1s
	Driver Efficiency	>93%
	Total Harmonic Distortion(THD)	<20%
	Driver	Mean Well
Mechanical	Material	Aluminum+Polycarbonate
	Degree of Protection	IP66
	Dimensions(mm)	460*584*111mm
	Net Weight	23KG
	Appearance	Black
	Installation	Mounting
	Package	1pcs/CTN
	Gross Weight	25KG
	Outer Carton Dimensions(mm)	716*502*256mm
Other	Working Temperature & Humidity	-25°C~+50°C, 10%~90%R.H.
	Storage Temperature & Humidity	-40°C~+70°C, 0%~95%R.H.
	Certificate	CE, RoHS
	Warranty	5 years
	Dimmable	0-10V/PWM/Dali Available

1000 watt



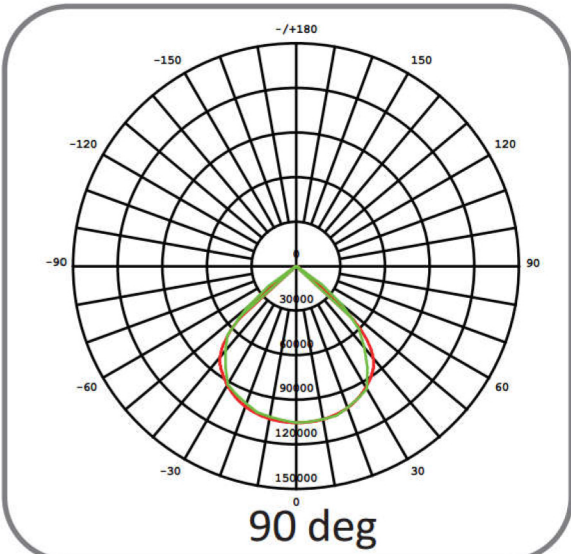
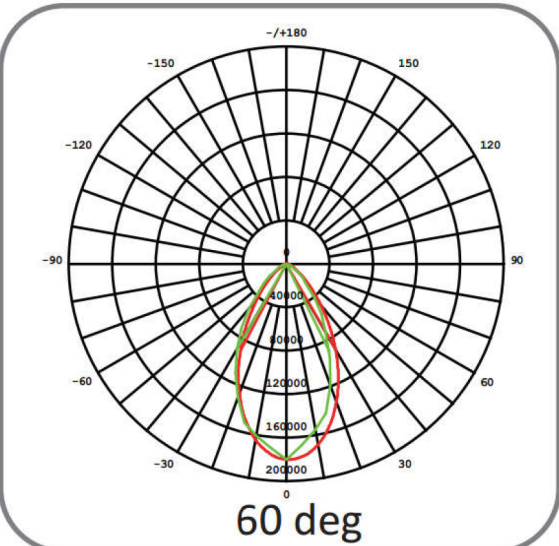
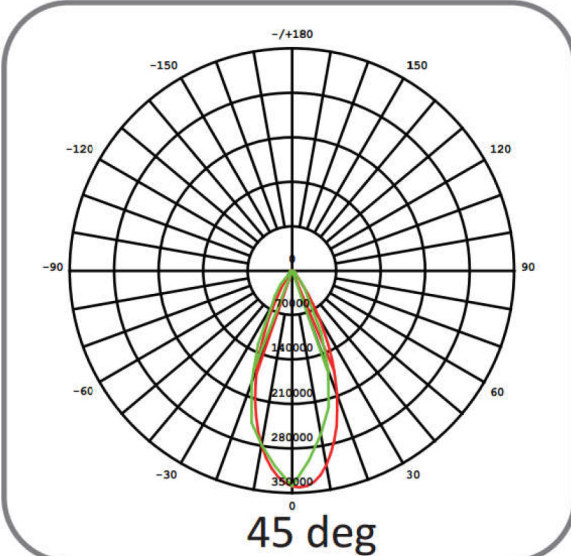
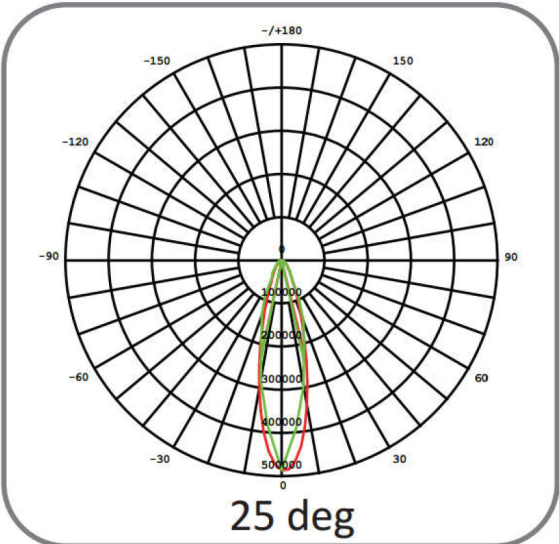
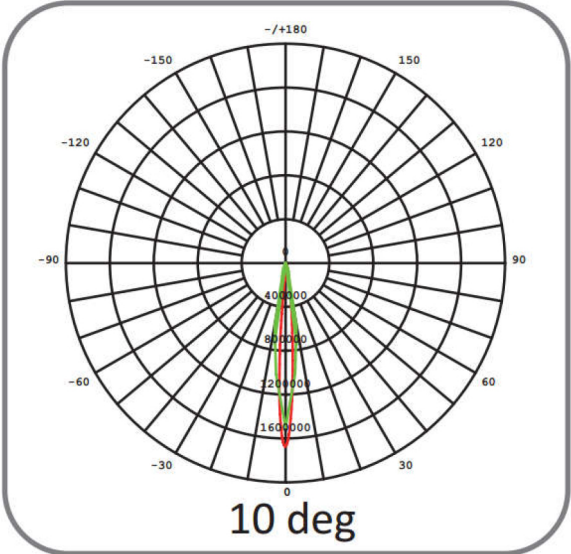
Optical	LEDs	Lumileds
	Lumen Output	140000lm ± 10%
	Luminous Efficiency(lm/w)	140lm/w
	Color Temperature(CCT)	2700-6500K
	Color Rendering Index(CRI)	Ra>80
	Beam Angle θ/2	10°/25°/45°/60°/90°/130°*40°
	Light Decay Rate(%)	Less than 3% in 6,000Hours
	Lifespan(Hrs)	≥50,000Hrs
Electrical	Power Consumption(W)	1000W ± 10%
	Input Voltage(V)	100-240VAC
	Frequency(Hz)	50/60Hz
	Power Factor(PF)	>0.95
	Start Time(s)	≤0.1s
	Driver Efficiency	>93%
	Total Harmonic Distortion(THD)	<20%
	Driver	Mean Well
Mechanical	Material	Aluminum+Polycarbonate
	Degree of Protection	IP66
	Dimensions(mm)	460*761*111mm
	Net Weight	28.5KG
	Appearance	Black
	Installation	Mounting
	Package	1pcs/CTN
	Gross Weight	30.5KG
	Outer Cartoon Dimensions(mm)	894*502*256mm
Other	Working Temperature & Humidity	-25°C~+50°C, 10%~90%R.H.
	Storage Temperature & Humidity	-40°C~+70°C, 0%~95%R.H.
	Certificate	CE, RoHS
	Warranty	5 years
	Dimmable	0-10V/PWM/Dali Available

1250 watt



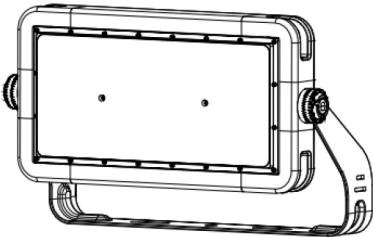
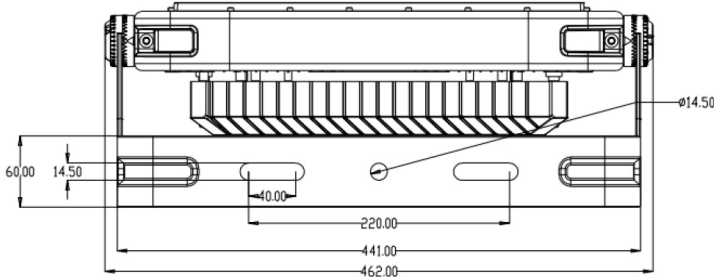
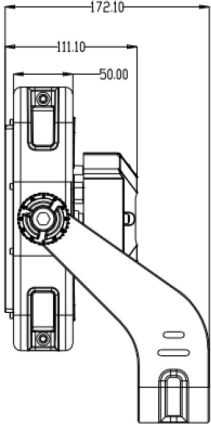
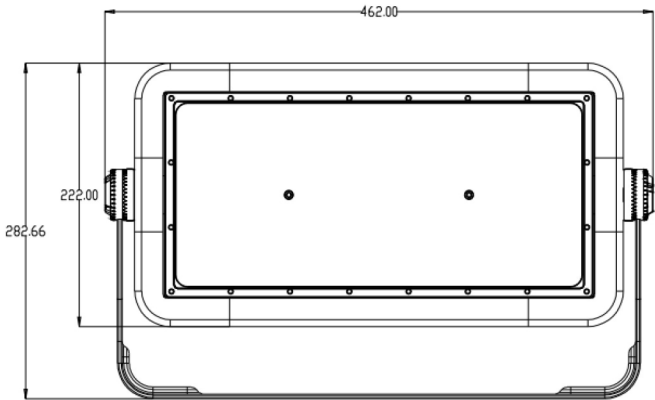
Optical	LEDs	Lumileds
	Lumen Output	175000lm ± 10%
	Luminous Efficiency(lm/w)	140lm/w
	Color Temperature(CCT)	2700-6500K
	Color Rendering Index(CRI)	Ra>80
	Beam Angle θ/2	10°/25°/45°/60°/90°/130*40°
	Light Decay Rate(%)	Less than 3% in 6,000Hours
	Lifespan(Hrs)	≥50,000Hrs
Electrical	Power Consumption(W)	1250W ± 10%
	Input Voltage(V)	100-240VAC
	Frequency(Hz)	50/60Hz
	Power Factor(PF)	>0.95
	Start Time(s)	≤0.1s
	Driver Efficiency	>93%
	Total Harmonic Distortion(THD)	<20%
	Driver	Mean Well
Mechanical	Material	Aluminum+Polycarbonate
	Degree of Protection	IP66
	Dimensions(mm)	460*952*111mm
	Net Weight	36KG
	Appearance	Black
	Installation	Mounting
	Package	1pcs/CTN
	Gross Weight	38.5KG
	Outer Cartoon Dimensions(mm)	1073*536*335mm
Other	Working Temperature & Humidity	-25°C~+50°C, 10%~90%R.H.
	Storage Temperature & Humidity	-40°C~+70°C, 0%~95%R.H.
	Certificate	CE, RoHS
	Warranty	5 years
	Dimmable	0-10V/PWM/Dali Available

Light Distribution Curves

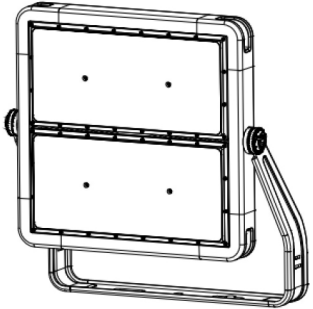
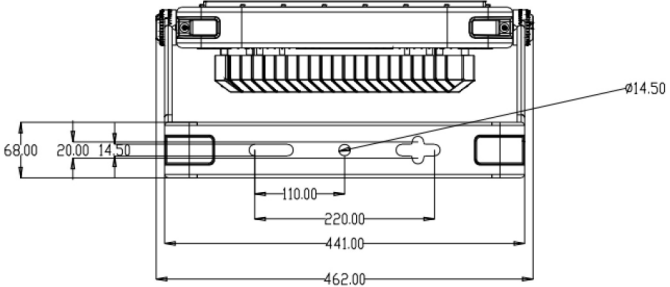
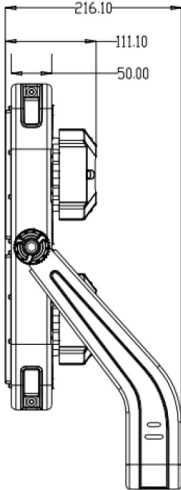
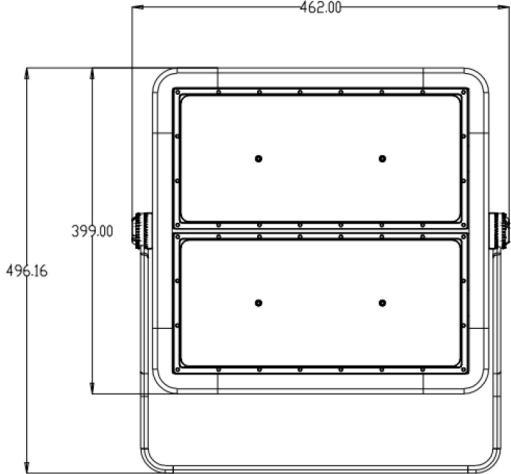


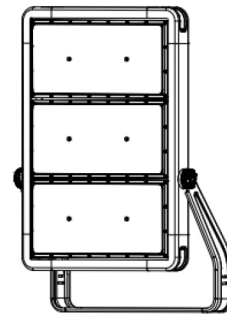
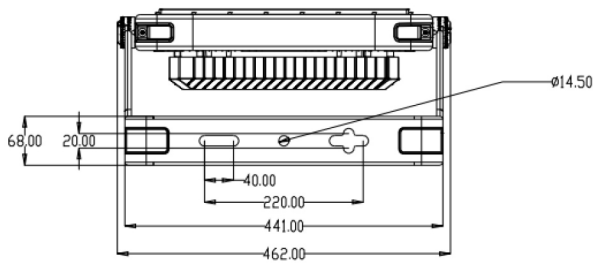
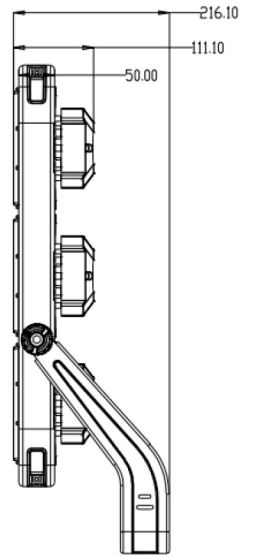
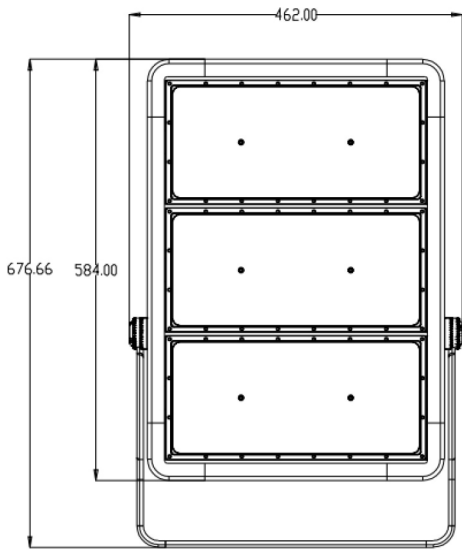
Dimensions and Drawings

250W

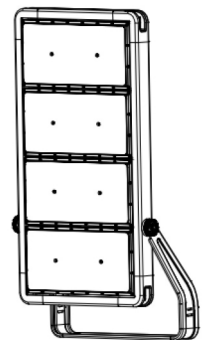
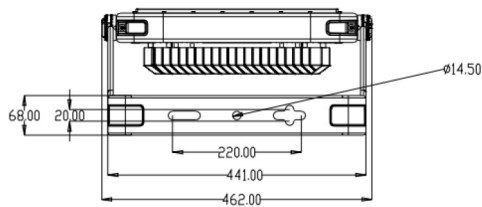
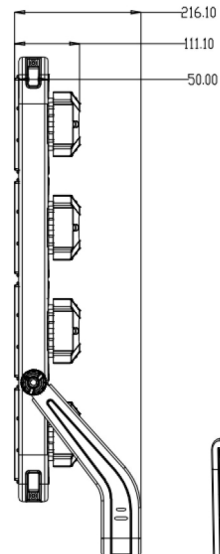
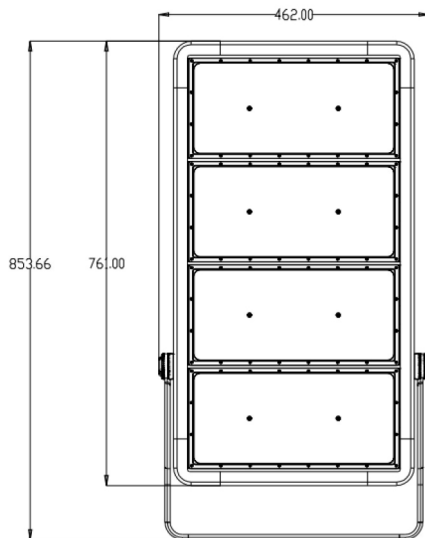


500W

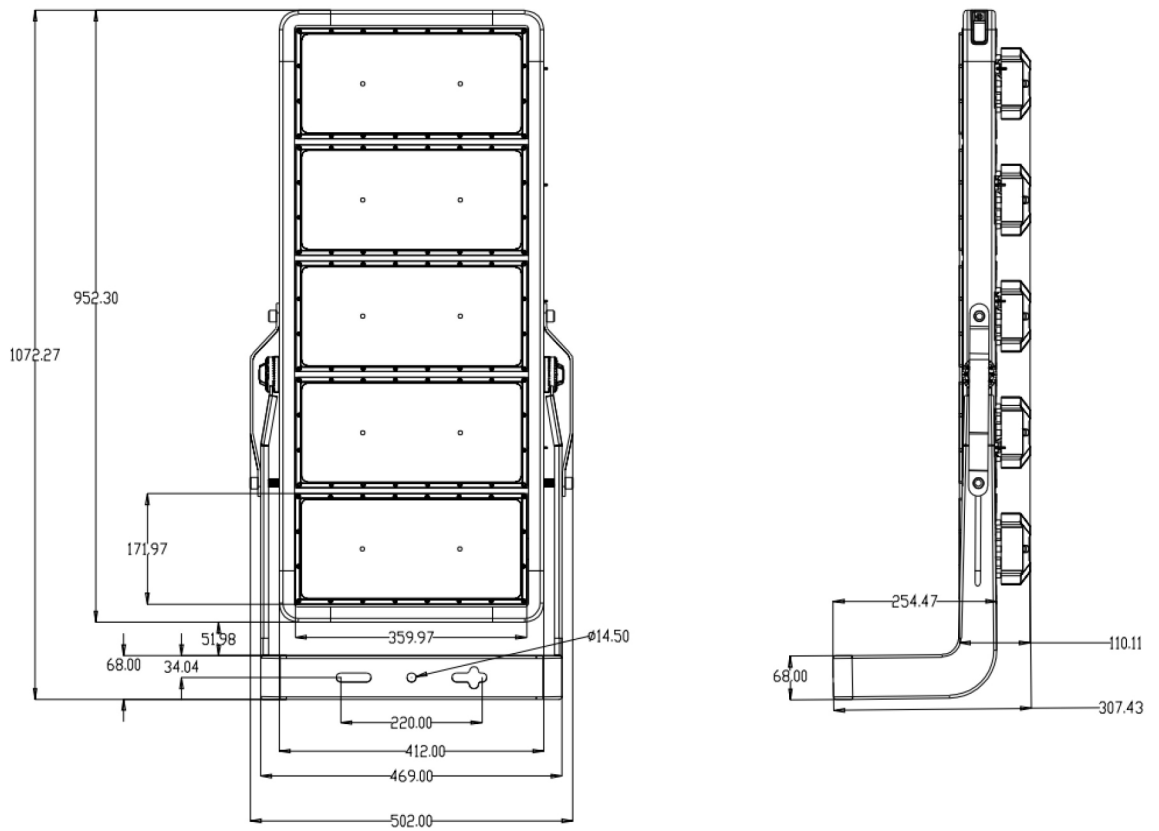




750W

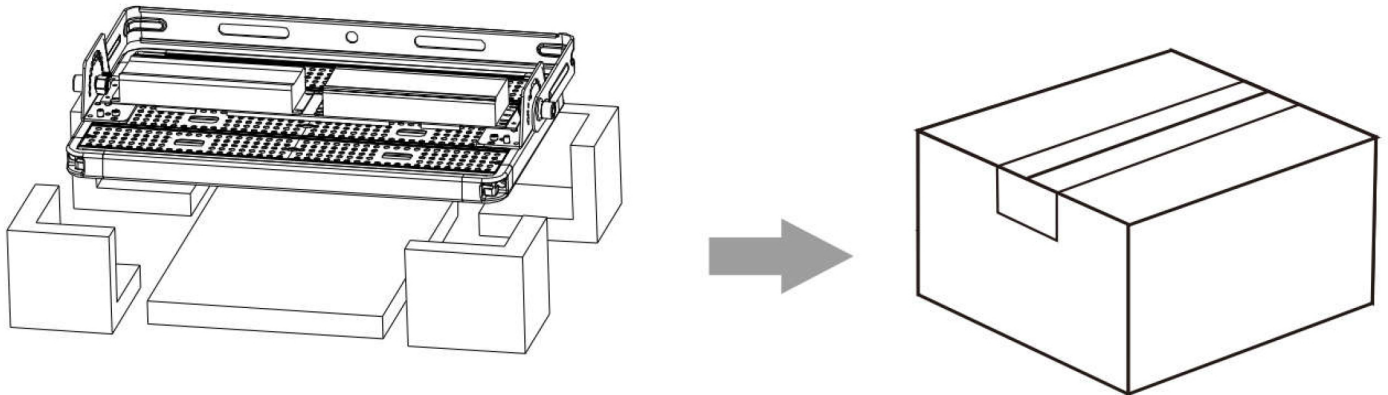


1000W

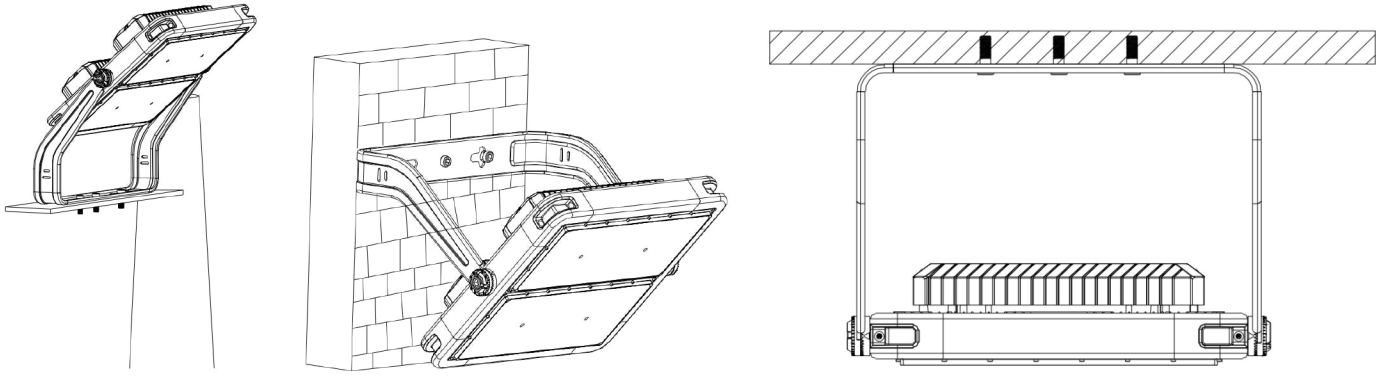


1250W

Package



Installations



Installation Requirements

1. Power off before installation, and read the instruction carefully;
2. Make sure the installation material can endure the lamp weight;
3. Please prepare two sets of expansion bolts, and drill holes in the installation body, then install the lamp, finally screw down expansion bolts and bracket screws;
4. Connect lamp wire to match power wire, and seal the joint with insulation;
5. The lamp must be installed reliably to prevent loosening and falling off.

Notice

1. Please first read the product specification carefully, make sure the using environment conform to specification, then it can be used;
2. Please confirm the input voltage, frequency before use;
3. This product must be installed by professionals;
4. If there is any damage to the power wire or shell of the product, it should be taken as defective product and do not use it;
5. Dangerous high voltage, non-professionals are not allowed to maintain the product;
6. If external soft cable or soft wire of the light is damaged, it should be replaced by manufacturer or service agent or personnel with similar qualification to avoid danger.